



HOLZ
RUBBER COMPANY, INC.

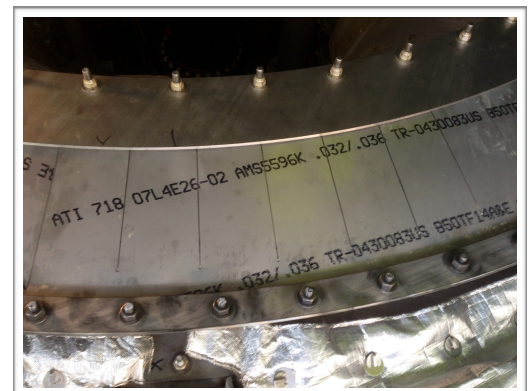
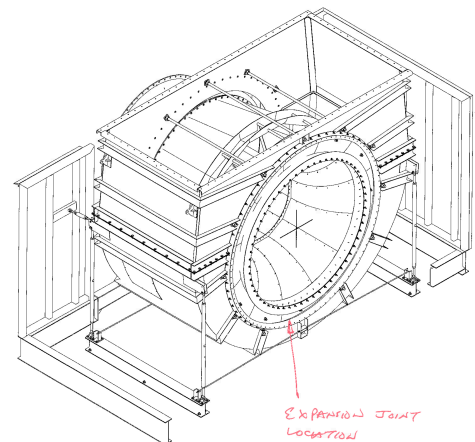
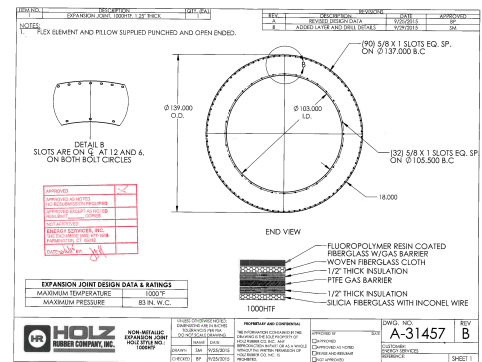
Application Data Sheet

Temperature Variables Make It Necessary To Have The Proper Fit

Application: The front and rear expansion joints on a gas turbine exhaust collector box in a facility owned by a large multi-national power company.

Problem: Temperature plays an important role in the success of a gas turbine operating efficiently. If the expansion joint is not installed correctly, or if it fails in service, gasses will leak into the GT enclosure. If the enclosure gets too hot it becomes less efficient and can cause a forced shut-down, eventually resulting in lost revenue.

Solution: The Holz Rubber Team supplied multi-layer, conical shaped high temperature flue ducts to back up the primary seals that tend to generate leakage. The new design has been successful for thousands of hours of operation, resulting in this product being implemented at other plant locations.



“Experience the Difference”
ejsales@holzrubber.com
Toll-Free: (800) 285-1600
Fax: (209)368-3246